

辊道通过式抛丸机 Roller Conveyor Blast Machine



抛丸设备
Blast Machines

二手设备
Second-hand Machines

输送系统
Conveyor Systems

服务和配件
Service and Spare Parts

AGTOS 辊道通过式抛丸机优势 Advantages of the AGTOS roller conveyor blast machines

- 可靠的抛丸技术 Reliable blasting technology
- 易于维护 Easy to maintain
- 创新的除尘技术 Innovative filtering technology
- 通过整合输送系统实现自动化 Automation through adjustment to the transport system in the facility

Important Advantages of the AGTOS Roller Conveyor Blast Machines

AGTOS 辊道通过式抛丸机的重要优势

辊道通过式抛丸机可以用于去除金属型材、金属板材以及金属钢结构件表面的氧化皮和铁锈。通过结合一套横向移动辊道输送系统，可以将抛丸，切割，钻铣等工艺过程连成一条生产线。这就确保了一个柔性的制造过程以及较高的材料利用率。

Roller conveyor blast machines are used to remove scale and rust from metal sections, metal sheets and constructions. By combining a roller conveyor with the appropriate crossover conveyors, individual process steps such as blasting, conservation, sawing and drilling can be interlinked. This ensures a flexible manufacturing process and a high material rate.



● AGTOS 抛丸技术 AGTOS blasting technology

我们的抛丸器配备了大功率电机，由于较少的易损件和较高的丸料输出量，因此具有极高的成本效益。

Our turbines are strong power units which are highly cost-effective due to fewer wear parts and a high abrasive flow.



● 易于保养 Easy to maintain

最少的设备维护时间对设备性价比而言是一个非常重要的因素。除了配备了高效的抛丸器及创新的除尘技术，AGTOS 辊道通过式抛丸机还提供了其他特殊的技术细节。例如，可以从设备外部更换橡胶密封帘。

Minimizing the maintenance time is an important factor of cost-effectiveness. Besides the innovative power unit technology and filtering technology, AGTOS roller conveyor blast machines offer other special details. It is, for example, possible to change the rubber curtains (sealing) outside the machine.



● AGTOS 除尘技术 AGTOS filtering technology

创新的除尘技术以确保强大的设备性能。特殊的圆锥形滤筒设计及抽屉式的结构可以使操作者在设备室体外部轻松快速地拉出滤筒进行更换。这些滤筒式除尘系统可用于改造任何型号的老抛丸设备。

The innovative filtering technology convinces through strong performances. A special feature is the conical shape of the filter cartridges which allows for easy and quick exchange outside the housing by means of a pullout carrier element. These cartridge filtering systems can be retrofitted to older blasting machines of almost any model.

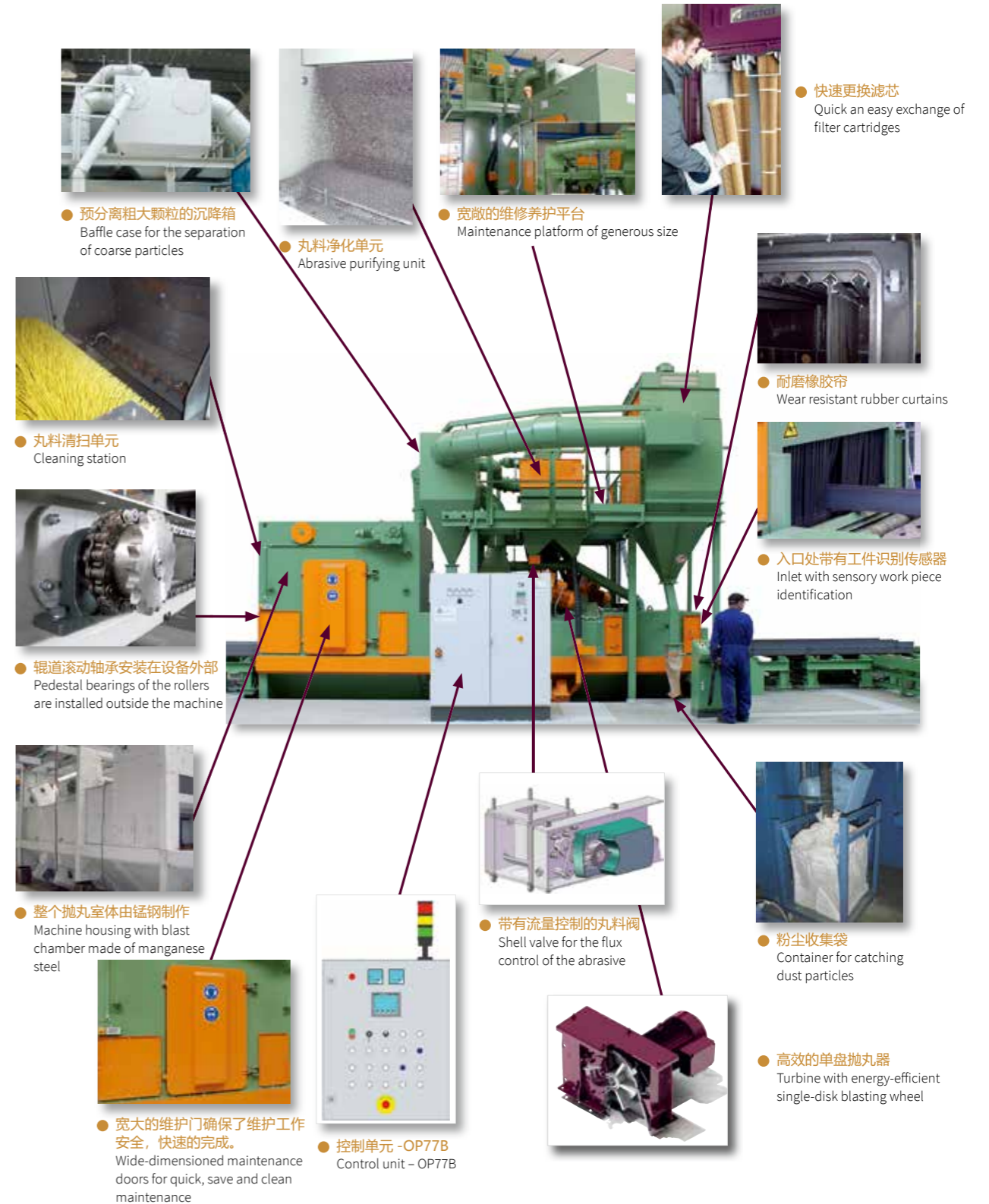


● 自动化 Automation

将抛丸设备集成到工厂物流中是工厂自动化系统中非常重要的一环，因此我们提出了创新的解决方案，比如系统自动读取抛丸器的运行时间，工件的清洁度等（见右下图），同时我们和合作伙伴一起设计全套的预处理线，或集成抛丸，切割，钻铣等设备为生产线。（见第6页）It is important to integrate the blasting machine into the concept of logistics in the facility. We therefore include innovative solutions, like for example an automated receiver for the control of the turbine running time and the cleaning (image: bottom right), into the scope of our supply. In collaboration with our partners we design complete conservation lines or combine blasting technology with sawing/drilling machines (see page 6).

Construction of an AGTOS Roller Conveyor Blast Machine

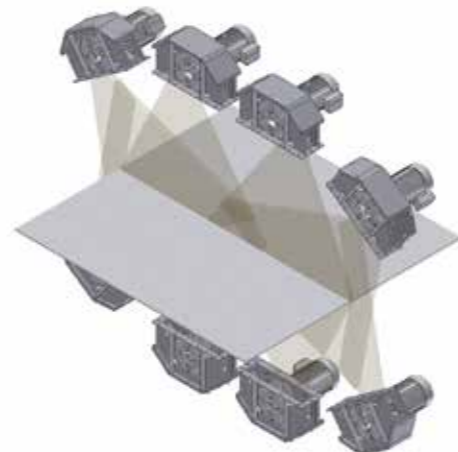
辊道通过式抛丸机的组成



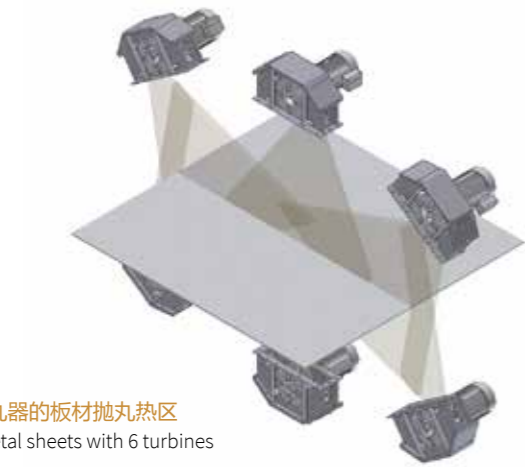
Complete Blasting of Metal Sheets and Sections

金属板材及型材的抛丸热区模拟

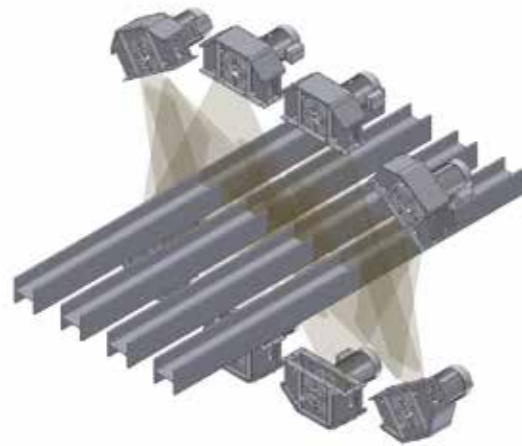
- 在项目开始阶段我们就完成了抛丸热区的评估。这样可以确保了丸料的有效抛打到工件表面，在设定的时间内完成抛丸工作。
Already during the project phase a detailed evaluation of the blasting pattern is carried out. That way we ensure that the abrasive optimally impinges on the work pieces later on and that the desired blasting task is achieved within the specified timeframe.



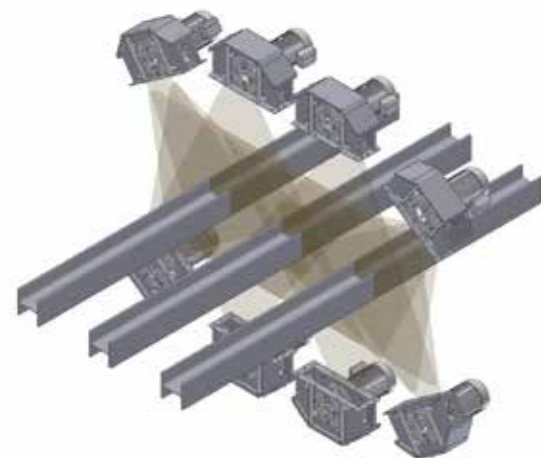
● 配备 8 的抛丸器的板材抛丸热区
Blasting of metal sheets with 8 turbines



● 配备 6 个抛丸器的板材抛丸热区
Blasting of metal sheets with 6 turbines



● 型材抛丸方案
Layout for sections



● 大型型材的抛丸方案
Layout for large sections

Efficient Blasting with AGTOS Roller Conveyor Blast Machines – Applied Examples

采用 AGTOS 辊道通过式抛丸机进行高效抛丸——应用实例



● 带有横移机构的抛丸机
Blast machine with crossover conveyors



● 金属板材的抛丸机
Blast machine for metal sheets



● 带有通过高度可调整的抛丸机
Blast machine with adjustable passage height



● 大型型材抛丸机
Blast machine for large sections



● 板材立式通过式抛丸机
Vertical roller transportation blast machine



● 用于金属板材，型材及钢结构的抛丸机，其通过高度可达 1000mm
Blast machine for metal sheets, sections and constructions with a passage height of up to 1000 mm



● 带有工件框的切割件通过式抛丸机
Blasting of flame cut pieces in a basket



● 棒材通过式抛丸机
Bar blasting machine



● 带有可调通过高度的抛丸机
Blasting machine with adjustable passage height



● 用于金属板材，型材及结构件的抛丸机，其通过高度可达 1000mm
Blast machine for metal sheets, sections and constructions with a passage height of up to 1000 mm



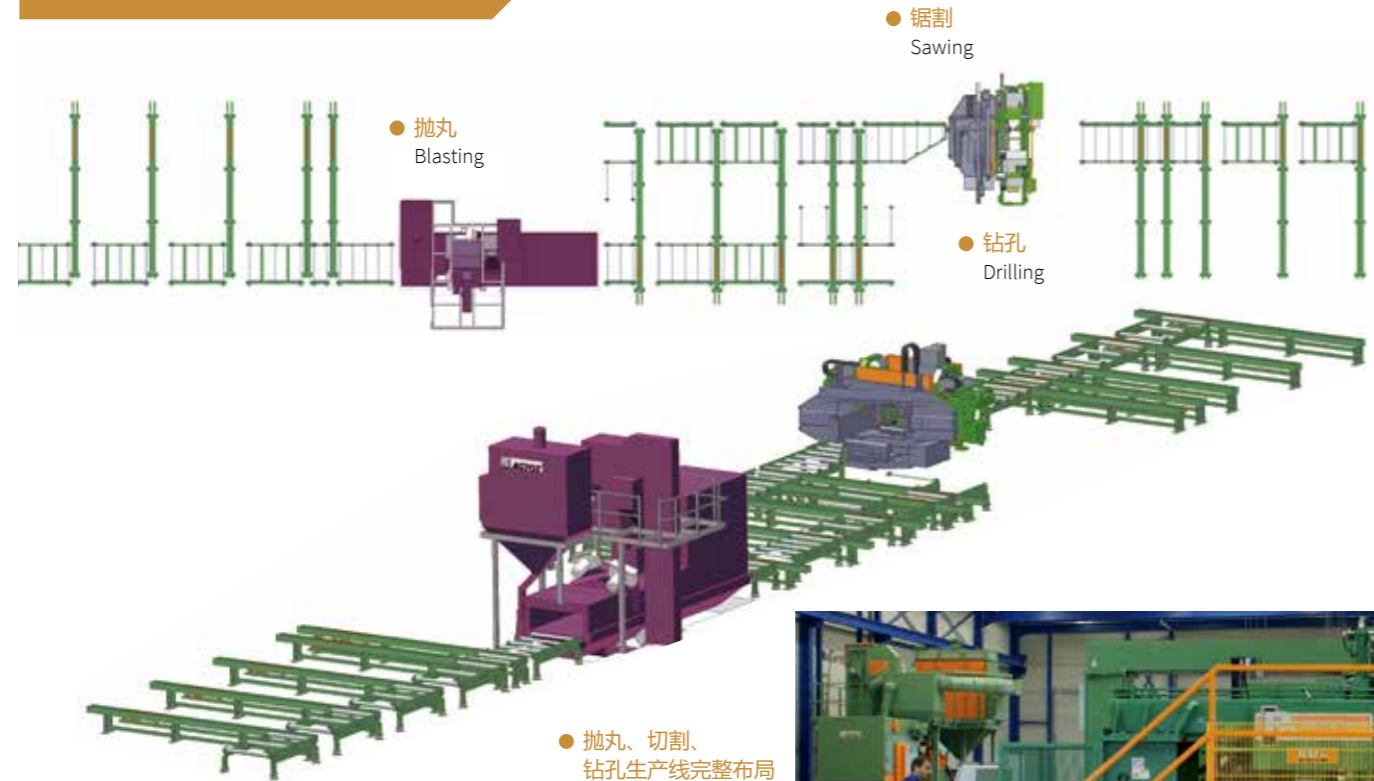
● 处理圆棒，管材的纺锤型辊道通过式抛丸机
Diabolo blast machine for handling sprinkler pipes Diabolo



● 抛丸后管材，型材丸料去除装置
Tilting device for pipes to evacuate the abrasive after blasting

Blasting Machines Aligned with Sawing-Drilling-Machines

抛丸机与切割、钻孔设备的集成



- AGTOS 抛丸机带有明确标识的维修门
The AGTOS blasting machine with clearly marked maintenance doors



- 抛丸、切割、钻孔生产线完整布局
Sight of the complete line with sawing, drilling and blasting machine



- 通过横向移动输送系统将抛丸、切割及钻孔设备连接在一起。
Crossover conveyors connect the roller conveyor blast machine with the sawing and drilling machines.



AGTOS 和 Peddinghaus 的合作 Collaboration of AGTOS and Peddinghaus

在金属加工设备中具有完整的解决方案越来越重要。在 AGTOS 和 Peddinghaus 的合作中能反映出这一发展。由于这个原因，在一个客户工厂中 AGTOS 的抛丸设备与 Peddinghaus 的设备 steelworkers 1270 DGP 和 BDL 1250/9 集成在一起。在这个项目中包含了进料、出料辊道输送机及横向移动输送机，所有的设备布置生产线中间位置便于操作。
Complete solutions are attributed more and more importance in metal-working facilities. This development is reflected in the cooperation of AGTOS and Peddinghaus. For this reason the AGTOS blasting machine was aligned with the Peddinghaus steelworkers 1270 DGP and BDL 1250/9 in a client's facility. The project comprises the inlet and outlet roller conveyors as well as elevating truck crossover conveyors. The whole machine is centrally operated.

Service for Shot Blast Machines

抛丸机设备服务

我们特别强调提供一流的客户服务。这不仅适用于我们生产的抛丸设备，也适用于其他公司的抛丸设备。
We place special emphasis on providing perfect customer service. This applies not only to the blasting equipment we manufacture, but also to other makes of equipment.

我们的服务项目包括：
Our service program includes:

- 配件 Spare parts
- 设备升级与改造 Modernization and performance enhancement
- 维修与维护 Repair and maintenance
- 指导和培训 Instruction and training



二手设备经过彻底的技术检修，然后整合到工厂运行中。所有的设备拆卸，运输，组装及调试完全由 AGTOS 的工程师完成。

Used machines are technically overhauled and then integrated into plant operations. Working on its own or as a general contractor, AGTOS undertakes disassembly, transport and re-assembly of the machines.



通过更新现代抛丸器技术可以实现旧设备的现代化及设备性能的提高。

Modernisation and increased performance of used machines among others by modern turbine technology.



各种各样的磨料类型可以在短时间内交付。

A wide range of abrasive types can be delivered on short notice.



各种品牌的抛丸器配件。

Turbine parts for many brands.



除了抛丸器配件，我们也为各种类型的设备提供除尘器滤筒，辊刷，密封毛刷，预制橡胶及锰钢衬板等配件。

In addition to replacement turbine parts, we also supply filter cartridges cleaning and sealing brushes, and pre-cut rubber and manganese blanks for many machine types.



各种抛丸机斗式提升机皮带，料斗及皮带螺栓。

Bucket elevator belts, buckets and screws for all brands of shot blast machines.

Modern blasting technology made-to-measure 量身定做的现代抛丸技术

AGTOS 可以根据客户需要生产特殊应用的抛丸机。根据不同的工件，不同的表面处理要求以及客户的空间限制，可以定制不同的辊道通过式抛丸机。

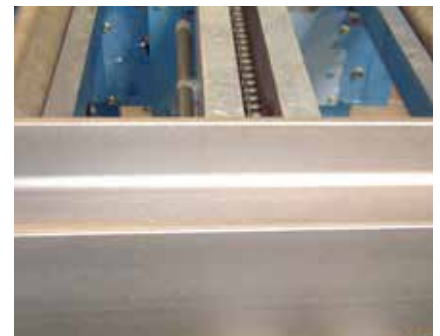
AGTOS manufactures turbine-wheel shot blast machines for special applications according to the needs of the customer. Based on the different work pieces and specifications concerning the surface and the space available at the client's facility we provide our customers with a variety of specialized roller conveyor blast machines.

下表中列出了最常见的型号和他们最重要的技术指标。

The following table lists the most frequent models and their most important technical characteristics.



型材抛丸处理之前
Steel beam before...



型材抛丸处理之后
...and after the processing

AGTOS 提供以下表格中的辊道通过式抛丸机系列：

AGTOS roller conveyor blast machines are among others available in the following standard sizes:

技术指标 Technical Data	RT 1000 4 x 11	RT 1500 4 x 11	RT 1500 4 x 15	RT 2100 4 x 15	RT 2600 6 x 15	RT 3200 6 x 15	RT 3200 8 x 15
主要应用领域 Primary field of application	金属板材 Metal sheet 金属型材 Metal section	金属板材 Metal sheet 金属型材 Metal section	金属板材 Metal sheet 金属型材 Metal section	金属板材 Metal sheet 金属型材 Metal section	金属板材 Metal sheet 金属型材 Metal section	金属板材 Metal sheet 金属型材 Metal section	金属板材 Metal sheet 金属型材 Metal section
工件尺寸 Size of the work piece (mm)	600	600	600	600	600	600	600
工件宽度 Width of the work piece (mm)	1000	1500	1500	2100	2600	3200	3200
最小厚度 Min. sheet thickness (mm)	4	4	4	6	6	6	6
抛头型号 Type of turbine	3.6.3	3.6.3	3.6.3	3.6.3	3.6.3	4.6	4.6
抛头功率 Turbine performance (kW)	4×11	4×11	4×15	4×15	6×15	6×15	8×15
最大通过速度 Max. blasting speed round grain (m/min)	2,2	1,5	2,0	1,4	1,8	1,4	1,9
丸料流量 Abrasive flow per turbine (kg/min)	181	181	248	248	248	165	165
除尘器 Filter	PF4/12	PF4/20	PF4/28	PF4/28	PF4/40	2×PF4/28	2×PF4/32
除尘风量 Performance (m³/h)	4500	7500	10000	10000	15000	20000	24000
除尘过滤面积 Overall filtering surface (m²)	48	80	112	112	160	224	256
经过二级过滤的排放气体中含尘量 Residual dust content in the exhaust air with secondary filter (mg/m³)	1	1	1	1	1	1	1



山东大亚机械科技有限公司

地址：中国 山东省淄博市周村区萌水镇中心大街 288 号
电话：(+86) 0533-6888875 6888856
传真：(+86) 0533-6888897 6888097
邮编：255318
网址：Http://www.taa.net.cn

Shandong taa machinery technology co. LTD
Add: No.288 Center Avenue, Mengshui Zhoucun Zibo Shandong China
Tel: 86-533-6881683 6881687
Fax: 86-533-6881107 6888097
P.C.: 255318
E-mail: taa-abrasive@taa.net.cn
Web: Http://www.taa.net.cn



AGTOS

Gesellschaft für technische Oberflächensysteme mbH
Gutenbergstraße 14
D-48282 Emsdetten
Tel.: +49(0)2572 96026-0
Fax: +49(0)2572 96026-111
info@agtos.de
www.agtos.com